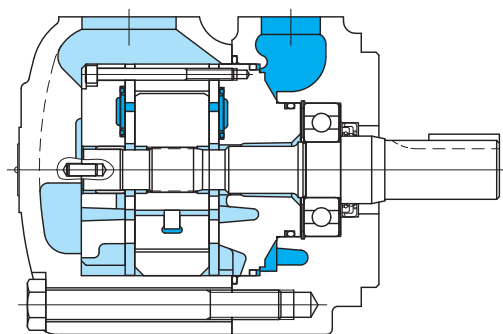
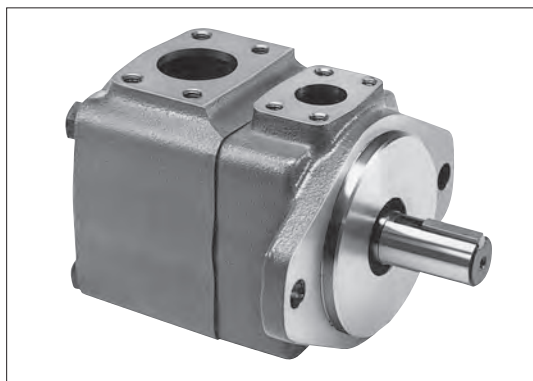


# High performance single fixed displacement vane pumps for mobile applications

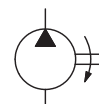
## VQ series

B  
5-1

Fixed Displacement Vane Pumps



Functional Symbol



### Model Code

(F3-)35VQ25A(F)-86C20(L)-JA

1 2 3 4 5 6 7 8 9

**1** Hydraulic fluid

Omit: mineral oil based fluid  
F3: Phosphate ester fluid

**2** High performance single fixed displacement vane pump for mobile applications

25VQ Series  
35VQ Series  
45VQ Series

**3** Pump displacement code

Series	Displacement Code
25VQ	12, 14, 17, 21
35VQ	25, 30, 35, 38
45VQ	42, 50, 60

**4** Port piping connection

A: SAE 4 bolt flange connection

**5** Pump mounting

Omit: flange mounting  
F: foot mounting

**6** Shaft end configuration

1: parallel sq. key (25VQ)  
86: parallel sq. key (35VQ, 45VQ)  
11: spline shaft

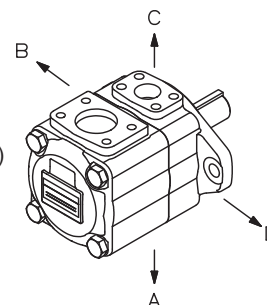
**7** Delivery port position (viewed from cover end)

A: opposite suction port  
B: 90° CCW from suction port  
C: inline with suction port  
D: 90° CW from suction port

**8** Design no.

**9** Rotation (viewed from shaft end)

Omit: CW  
L: left rotation (counter-clockwise)



### Specifications

Model Code	Displacement Code	Del. at 1000 min <sup>-1</sup> 0.7 Mpa L/min	Anti-Wear Mineral Oil		Phosphate Ester Fluid		Min. Speed min <sup>-1</sup>	Weight kg
			Max. Working Pressure MPa	Max. Speed min <sup>-1</sup>	Max. Working Pressure MPa	Max. Speed min <sup>-1</sup>		
25VQ	12	38.3	21	2700	14	1800	600	14.5
	14	43.3						
	17	52.5		2500		1600		
	21	65.0						
35VQ	25	79.2	21	2500	14	1600	600	22.7
	30	95.0						
	35	109.0		2400				
	38	118.0						
45VQ	42	134.0	17.5	2200	14	1500	600	34.0
	50	156.0						
	60	189.0						

Note: • As max. working pressure may be limited for general industrial machinery applications, consult Tokyo Keiki.  
• Max. speed is based on 0 MPa (gauge pressure) suction pressure.  
Max. speed will be limited by negative suction pressure. Consult Tokyo Keiki in this case.

TOKYO KEIKI INC.

## Delivery, Shaft Input Power (at 20 mm<sup>2</sup>/s) (typical examples)

Model Code	Speed min <sup>-1</sup>	Delivery L/min					Shaft Input kW				
		0.7 MPa	7 MPa	14 MPa	17.5 MPa	21 MPa	0.7 MPa	7 MPa	14 MPa	17.5 MPa	21 MPa
25VQ-12	1000	38.3	35.9	33.2	31.7	30.3	1.0	5.8	11.1	13.7	16.2
	1200	46.0	43.6	40.9	39.4	38.0	1.1	6.6	13.3	16.3	19.4
	1500	57.5	55.1	52.4	50.9	49.5	1.3	8.5	16.4	20.3	24.1
	1800	69.0	66.6	63.9	62.4	61.0	1.4	10.0	19.7	24.3	28.8
	2000	76.6	73.9	71.3	70.0	68.6	1.6	11.1	21.7	26.7	31.7
	2200	84.3	81.6	79.0	77.6	76.3	1.7	12.1	23.7	29.1	34.5
	2400	91.9	89.3	86.6	85.3	84.0	1.9	13.2	25.6	31.5	37.3
	2500	95.8	93.1	90.4	89.1	87.8	2.0	13.7	26.6	32.7	38.6
	2700	103.4	100.8	98.1	96.8	95.5	2.1	14.8	28.5	35.0	41.3
25VQ-14	1000	43.3	40.1	36.7	35.7	34.1	1.2	6.5	12.4	15.4	18.2
	1200	52.0	48.4	45.4	44.4	42.8	1.3	7.6	14.8	18.4	21.8
	1500	65.0	61.8	58.4	57.4	55.8	1.5	9.6	18.4	22.8	27.1
	1800	78.0	74.8	71.4	70.4	68.8	1.7	11.3	21.9	27.2	32.3
	2000	86.6	83.5	80.5	79.0	77.4	1.9	12.5	24.1	30.0	35.5
	2200	95.3	92.2	89.1	87.6	86.1	2.1	13.7	26.3	32.6	38.7
	2400	103.9	100.9	97.8	96.3	94.7	2.2	14.9	28.5	35.2	41.7
	2500	108.3	105.2	102.1	100.6	99.1	2.3	15.5	29.5	36.5	43.2
	2700	116.9	113.9	110.8	109.3	107.7	2.5	16.7	31.6	39.0	46.1
25VQ-17	1000	52.5	49.6	46.4	44.4	42.7	1.4	7.5	14.6	17.9	21.3
	1200	63.0	60.6	56.9	54.9	53.2	1.5	9.2	17.3	21.4	25.4
	1500	78.8	75.9	72.7	70.7	69.0	1.7	11.0	21.5	26.6	31.6
	1800	94.5	91.6	88.4	86.4	84.7	1.9	13.2	25.6	31.8	37.8
	2000	105.0	101.7	98.5	96.8	95.2	2.2	14.5	28.3	35.2	41.9
	2200	115.5	112.2	109.0	107.3	105.7	2.4	16.0	30.9	38.5	45.8
	2400	126.0	122.7	119.5	117.8	116.2	2.6	17.4	33.6	41.7	49.7
	2500	131.3	128.0	124.7	123.1	121.5	2.7	18.1	34.9	43.4	51.7
	2700	—	—	—	—	—	—	—	—	—	—
25VQ-21	1000	65.0	62.1	58.9	56.9	55.2	1.6	9.4	17.9	22.2	26.3
	1200	78.0	74.9	71.9	69.9	68.2	1.8	11.2	21.4	26.5	31.4
	1500	97.5	94.6	91.4	89.4	87.7	2.1	13.7	26.6	32.9	39.1
	1800	117.0	113.9	110.9	108.9	107.2	2.3	16.3	31.7	39.4	46.8
	2000	130.0	126.7	123.5	121.8	120.2	2.5	18.0	34.9	43.4	51.6
	2200	143.0	139.7	136.5	134.8	133.2	2.8	19.6	38.1	47.3	56.2
	2400	156.0	152.7	149.5	147.8	146.2	3.0	21.3	41.1	51.1	60.8
	2500	162.5	159.2	156.0	154.3	152.7	3.1	22.1	42.6	52.9	63.1
	2700	—	—	—	—	—	—	—	—	—	—

## Delivery, Shaft Input Power (at 20 mm<sup>2</sup>/s) (typical examples)

Model Code	Speed min <sup>-1</sup>	Delivery L/min					Shaft Input kW				
		0.7 MPa	7 MPa	14 MPa	17.5 MPa	21 MPa	0.7 MPa	7 MPa	14 MPa	17.5 MPa	21 MPa
35VQ-25	1000	79.2	73.4	67.0	64.0	60.8	1.8	10.9	20.9	25.6	30.3
	1200	95.0	88.9	82.8	79.8	76.6	2.0	12.7	25.0	30.6	36.3
	1500	119.0	112.9	106.8	103.8	100.6	2.3	16.0	31.0	38.0	45.2
	1800	142.0	135.9	129.8	126.8	123.6	2.6	19.1	37.1	45.5	54.0
	2000	158.4	152.3	146.2	143.1	140.0	2.9	21.0	41.0	50.5	60.1
	2200	174.2	168.1	162.0	158.9	155.9	3.1	23.0	45.0	55.5	66.0
	2400	190.1	184.0	177.8	174.8	171.7	3.4	24.9	48.9	60.5	72.0
	2500	198.0	191.9	185.8	182.7	179.6	3.5	25.9	50.8	62.9	75.0
35VQ-30	1000	95.0	88.3	80.7	77.8	74.2	1.8	12.8	25.2	31.1	37.0
	1200	114.0	106.9	99.7	96.8	93.2	2.0	15.3	30.1	37.2	44.3
	1500	142.0	135.9	127.7	124.8	121.2	2.4	19.0	37.4	46.4	55.2
	1800	171.0	163.9	156.7	153.8	150.2	2.7	22.6	44.9	55.6	66.1
	2000	190.0	183.1	176.1	172.7	169.2	3.0	25.1	49.8	61.7	73.5
	2200	209.0	202.1	195.1	191.7	188.2	3.3	27.6	54.7	67.9	80.9
	2400	228.0	221.1	214.1	210.7	207.2	3.6	30.1	59.6	74.0	88.2
	2500	237.5	230.6	223.6	220.2	216.7	3.7	31.4	62.1	77.1	91.9
35VQ-35	1000	109.0	102.9	94.9	92.0	88.4	2.2	14.5	28.1	35.0	41.5
	1200	131.0	123.9	116.7	113.8	110.2	2.5	17.3	33.7	41.8	49.7
	1500	164.0	156.9	149.7	146.8	143.2	2.9	21.3	41.8	52.0	61.8
	1800	196.0	188.9	181.7	178.8	175.2	3.3	25.4	51.4	62.3	74.1
	2000	218.0	211.1	204.1	200.7	197.2	3.6	28.1	56.6	69.0	82.3
	2200	239.8	232.9	225.9	222.5	219.0	3.9	30.8	61.7	75.8	90.4
	2400	261.6	254.7	247.7	244.3	240.8	4.3	33.5	66.7	82.4	98.5
	2500	—	—	—	—	—	—	—	—	—	—
35VQ-38	1000	118.0	110.9	101.7	99.1	95.1	2.7	15.8	30.4	37.6	44.6
	1200	142.0	133.8	125.7	122.8	118.8	3.0	18.9	36.2	44.9	53.2
	1500	177.0	169.9	160.7	157.8	153.8	3.4	23.1	44.9	55.8	66.2
	1800	213.0	204.8	196.7	193.8	189.8	3.9	27.5	53.6	66.7	79.2
	2000	236.0	228.3	220.5	216.6	212.8	4.3	30.4	59.5	74.0	88.1
	2200	259.6	251.9	244.1	240.2	236.4	4.6	33.4	65.4	81.4	97.1
	2400	283.2	275.5	267.7	263.8	260.0	5.0	36.3	71.2	88.7	106.0
	2500	—	—	—	—	—	—	—	—	—	—

## Delivery, Shaft Input Power (at 20 mm<sup>2</sup>/s) (typical examples)

Model Code	Speed min <sup>-1</sup>	Delivery L/min				Shaft Input kW			
		0.7 MPa	7 MPa	14 MPa	17.5 MPa	0.7 MPa	7 MPa	14 MPa	17.5 MPa
45VQ-42	1000	134.0	124.8	114.6	109.7	2.7	18.0	35.9	44.4
	1200	161.0	151.8	141.6	136.7	3.0	21.4	42.8	53.0
	1500	201.0	191.8	181.6	176.7	3.5	26.5	53.3	66.0
	1800	241.0	231.8	221.6	216.7	4.0	31.6	63.7	79.0
	2000	268.0	258.2	248.4	243.5	4.4	35.3	70.1	87.5
	2200	294.8	285.0	275.2	270.3	4.9	38.9	76.9	95.8
45VQ-50	1000	156.0	146.8	136.6	131.7	3.1	20.6	40.2	50.3
	1200	187.0	177.8	167.6	162.7	3.5	24.5	47.9	60.2
	1500	234.0	224.8	214.6	209.7	4.0	30.3	59.7	74.8
	1800	280.0	270.8	260.6	255.7	4.7	36.1	71.3	89.6
	2000	312.0	302.2	292.4	287.5	5.1	40.2	79.2	99.4
	2200	343.2	333.4	323.6	318.7	5.6	44.4	87.1	109.0
45VQ-60	1000	189.0	177.8	165.5	159.6	4.0	24.9	47.8	59.8
	1200	227.0	215.8	203.5	197.6	4.5	29.6	57.1	71.4
	1500	284.0	272.8	260.5	254.6	5.2	36.5	71.0	88.8
	1800	340.0	328.8	316.5	310.6	5.9	43.5	84.8	106.1
	2000	378.0	366.2	354.3	348.4	6.4	48.4	94.2	117.7
	2200	415.8	404.0	392.1	386.2	6.9	53.1	103.5	129.2

### Notes on Operation

- See page B0-4 for Notes on Using Vane Pumps.

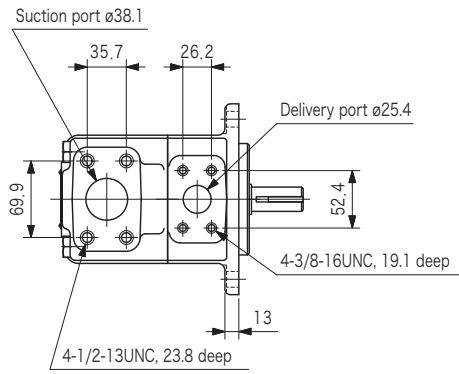
### Piping Flanges (Compliant to SAE J 518c Standard Pressure)

- Flanges sold separately.
- Refer to table below to order flanges (with hex socket bolts, spring washers, and O-rings).
- See page R7-1 for dimensions, etc.

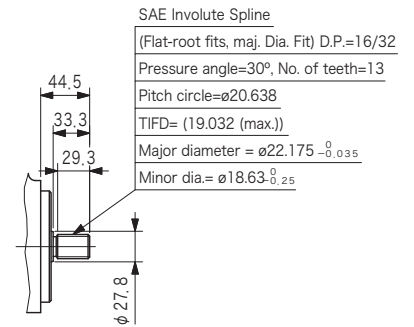
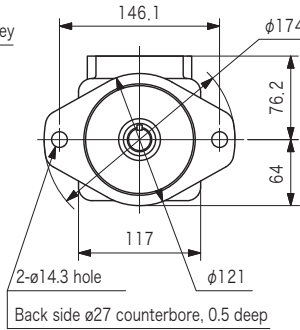
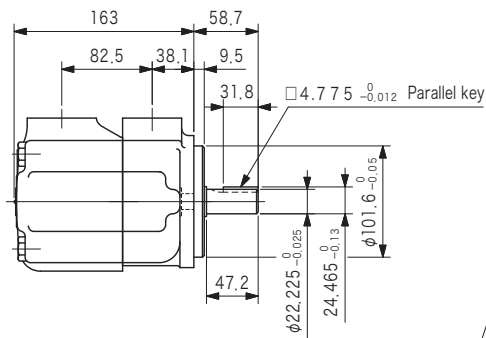
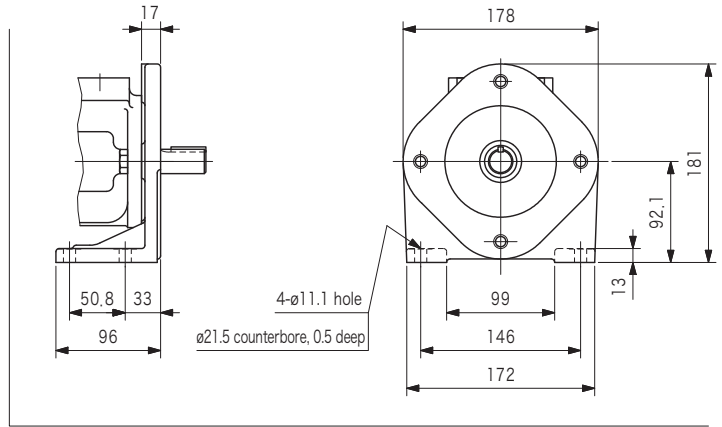
Pump Model	Flange Type					
	Suction Port			Delivery Port		
	Size	Threaded	Welded	Size	Threaded	Welded
25VQ	1-1/2	FL1-12-12P-10-JA-S4-J	FL1-12-12W-10-JA	1	FL1-8-08P-10-JA-S4-J	FL1-8-08W-10-JA
35VQ	2	FL1-16-16P-10-JA-S4-J	FL1-16-16W-10-JA	1-1/4	FL1-10-10P-10-JA-S4-J	FL1-10-10W-10-JA
45VQ	3	FL1-24-24P-10-JA-S4-J	FL1-24-24W-10-JA	1-1/2	FL1-12-12P-10-JA-S4-J	FL1-12-12W-10-JA

# Dimensions

## 25VQ (Flange mounting)

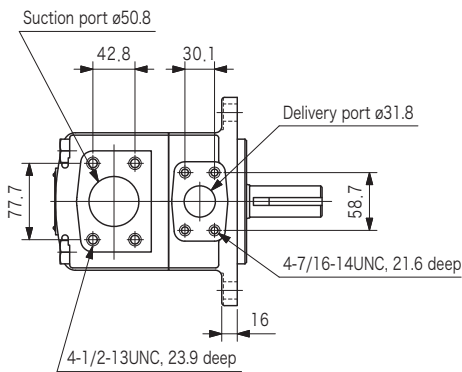


## (Foot mounting)

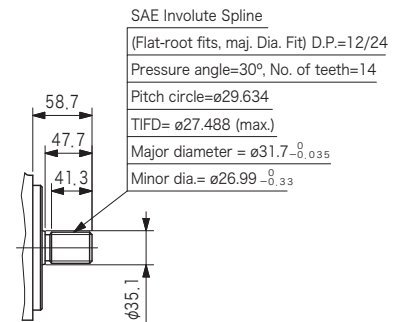
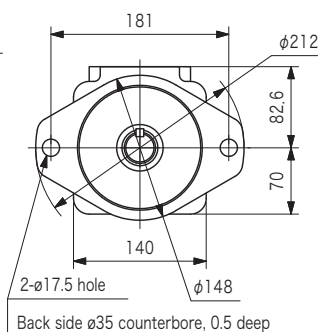
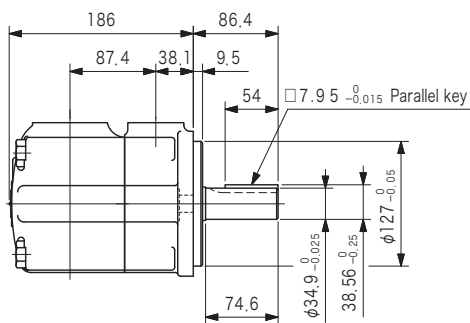
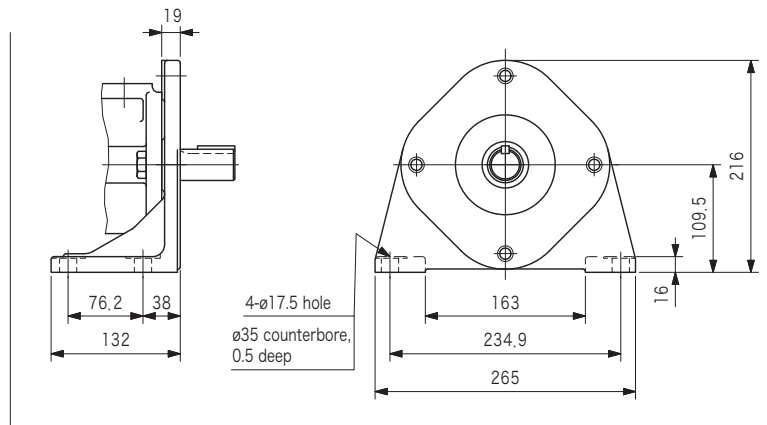


No. 11 Spline Shaft End Shape

## 35VQ (Flange mounting)



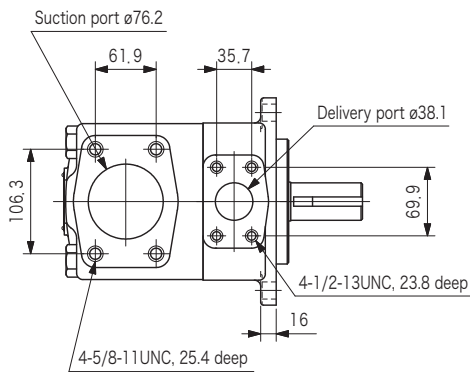
## (Foot mounting)



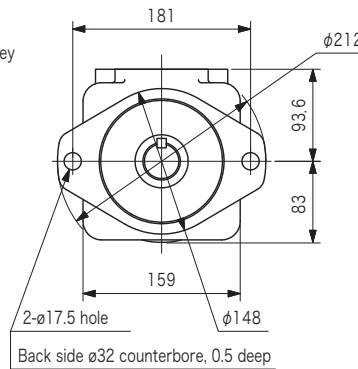
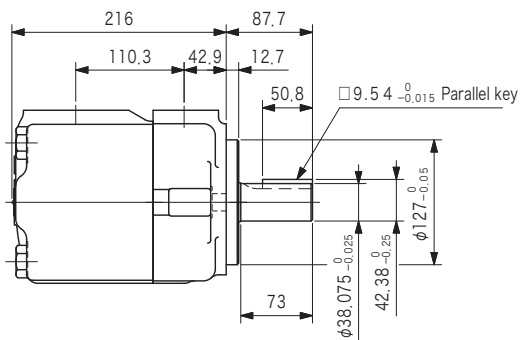
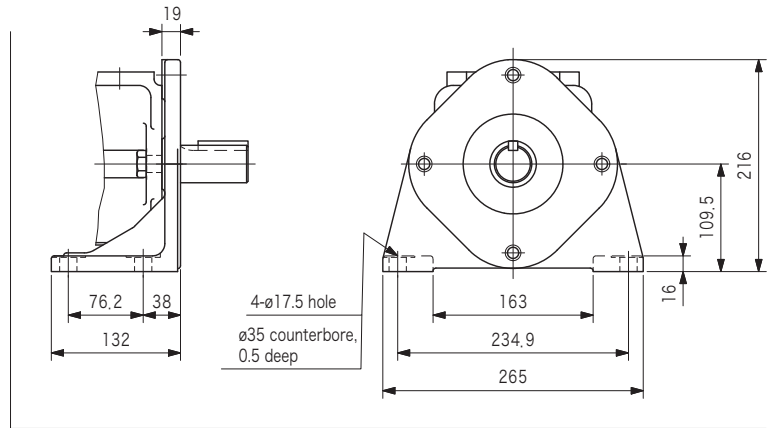
No. 11 Spline Shaft End Shape

# Dimensions

## 45VQ (Flange mounting)



## (Foot mounting)



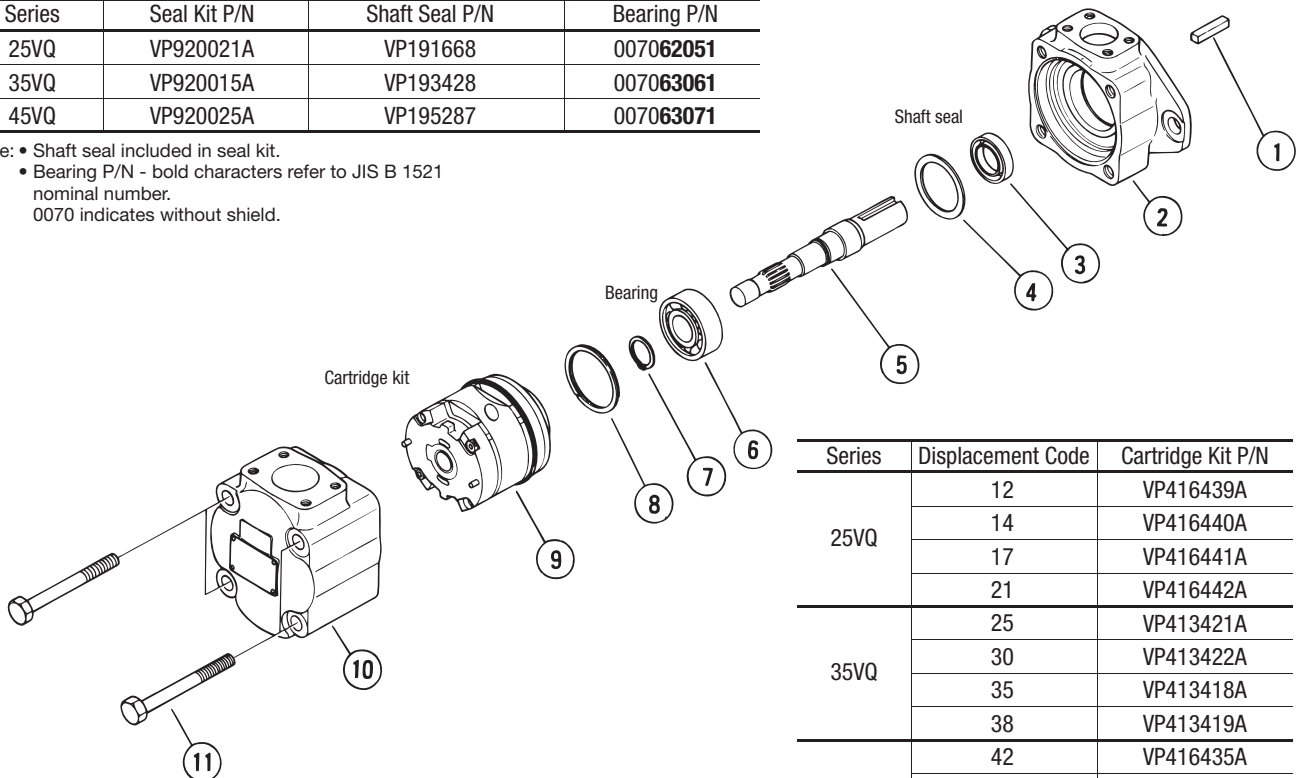
SAE Involute Spline  
 (Flat-root fits, maj. Dia. Fit) D.P.=12/24  
 Pressure angle=30°, No. of teeth=14  
 Pitch circle=29.634  
 TIFD=27.488 (max.)  
 Major diameter = 31.7 (tolerance 0 to -0.035)  
 Minor dia.= 26.99 (tolerance 0 to -0.33)

No. 11 Spline Shaft End Shape

# Construction

Series	Seal Kit P/N	Shaft Seal P/N	Bearing P/N
25VQ	VP920021A	VP191668	0070 <b>62051</b>
35VQ	VP920015A	VP193428	0070 <b>63061</b>
45VQ	VP920025A	VP195287	0070 <b>63071</b>

Note: • Shaft seal included in seal kit.  
 • Bearing P/N - bold characters refer to JIS B 1521 nominal number.  
 0070 indicates without shield.



Series	Displacement Code	Cartridge Kit P/N
25VQ	12	VP416439A
	14	VP416440A
	17	VP416441A
	21	VP416442A
35VQ	25	VP413421A
	30	VP413422A
	35	VP413418A
45VQ	38	VP413419A
	42	VP416435A
	50	VP416436A
	60	VP416437A

Note: • Cartridge kit includes seals excluding shaft seal.  
 • "L" is added as suffix to cartridge kit P/N for left hand rotation cartridge kit.