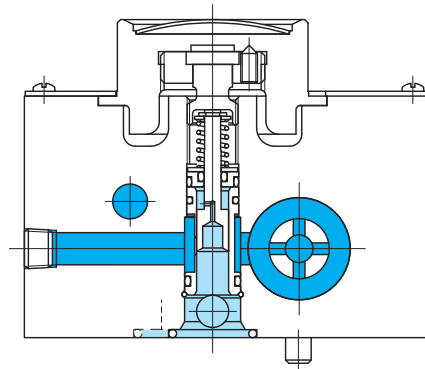


Pressure-temperature compensated flow control valves (with check valve) LFCG

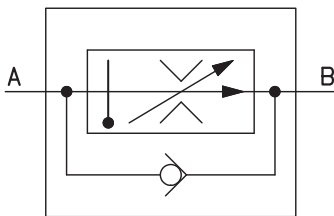
D
4-1

Flow Control Valves



- Valve is pressure and temperature compensated and flow is maintained at a constant level even over changes in load pressure or fluid temperature. Free flow is provided in the reverse direction.
- Suitable for control of very small flows.

Functional Symbol



Model Code

LFCG-02-10-11

1 2 3 4

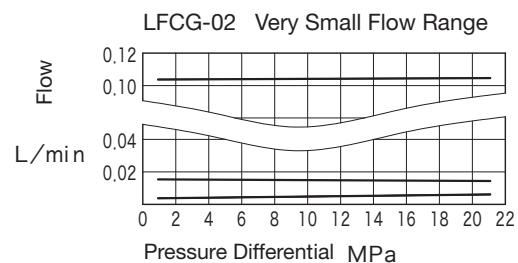
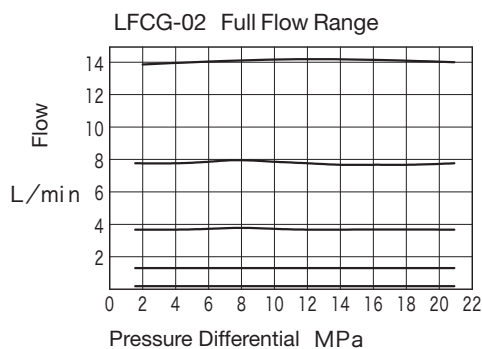
- 1 Temperature compensated flow control valve (with check valve)
- 2 Size
- 3 Flow adjustment range
Refer to "Specifications".
- 4 Design no.

Specifications

Model Code	Size	Max. Working Pressure	Flow Adjustment Range		Cracking Pressure in Free Flow Direction MPa	Weight kg
			Code	L/min		
LFCG-02	02	21	3	0.015~ 3.5	0.11	3.9
			10	0.02 ~14		

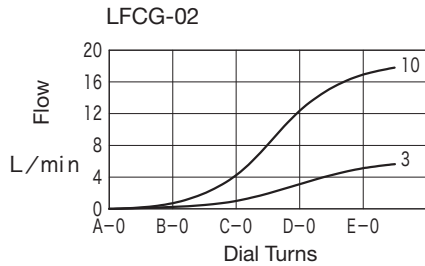
Characteristics Curve (at 20 mm²/s) (typical examples)

Pressure Differential - Flow Characteristics

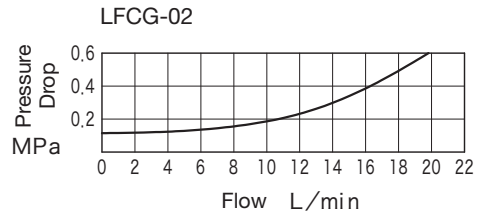


Characteristics Curve (at 20 mm²/s) (typical examples)

Valve Opening (dial turns) - Flow Characteristics



Pressure Drop Characteristics in Free Flow Direction



Notes on Operation

- Turning the flow adjustment dial clockwise will increase flow. Minimum to maximum adjustable flow is approx. 4.5 turns. (Letters A - E will appear with each turn of the dial.)
- After adjustment, make sure to tighten the dial locking screw.
- For optimum flow control, maintain a 1 MPa or greater pressure differential between the A and B ports.
- When using flows below 0.1 L/min, use 3 μm filter.
- The valves cannot be used for water-glycol based fluids.

Mounting Bolts (JIS B 1176, Strength Class 12.9)

Model Code	Hex Socket Bolts		Qty
	Metric Thread	Unified Thread	
LFCG-02	M8 × 55	5/16-18UNC × 50.8	4

- Mounting bolts must be ordered separately.
- Tightening torque of mounting bolts: 27 to 33 N·m

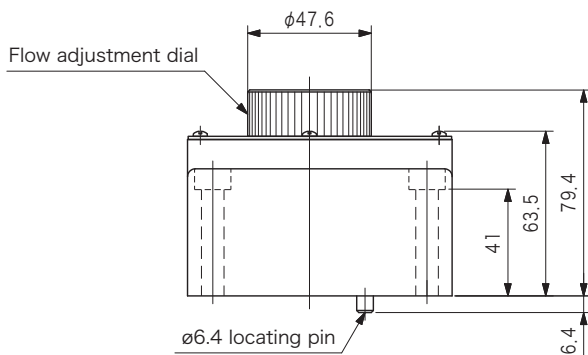
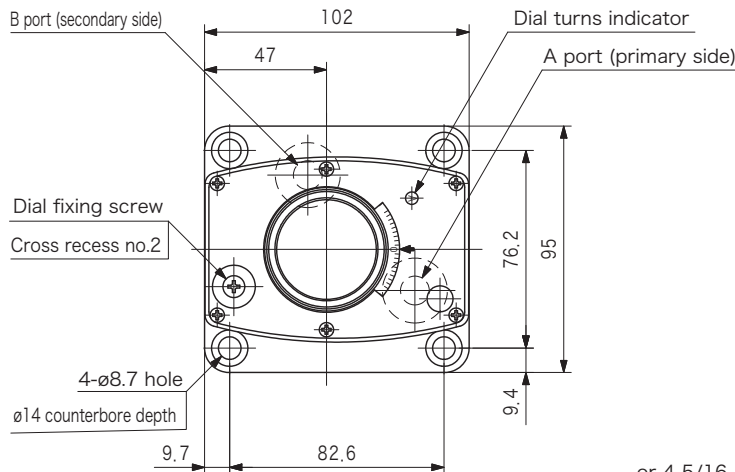
Subplate

Valve Model	Subplate	Connection Port Dia.
LFCG-02	FGM-02-20-JA-J	Rc3/8

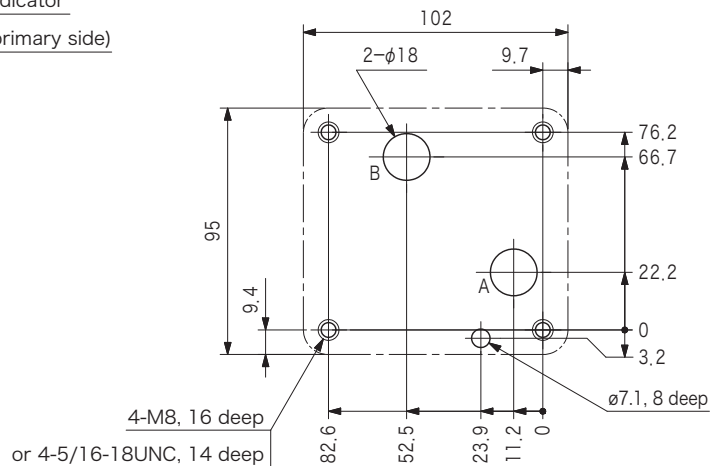
- Subplate must be ordered separately.
- Hex socket bolts for mounting valve included. (Unified thread)
- See page R6-4 for dimensions.

Dimensions

LFCG-02



●Mounting dimensions

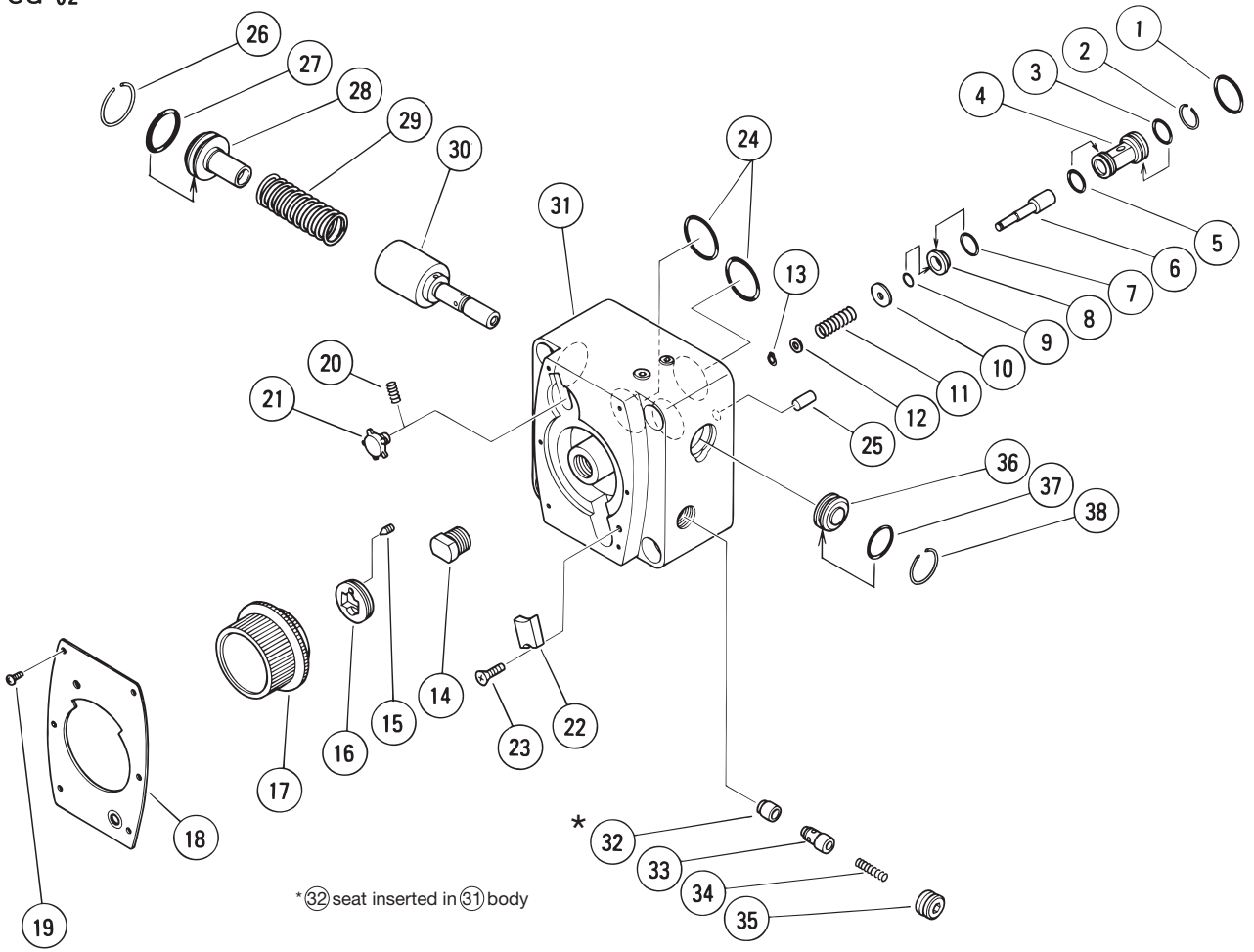


Construction

LFCG-02

D
4-3

Flow Control Valves



O-ring

No.	Part Number	Standard	Qty
1	007911517	AS568-115 (NBR, Hs70)	1
3	008000817	JIS B 2401 1A-P10	1
5			1
7			1
9	008000217	JIS B 2401 1A-P4	1
24	007911717	AS568-117 (NBR, Hs70)	2
27	008001917	JIS B 2401 1A-P21	1
37	007901617	AS568-016 (NBR, Hs70)	1