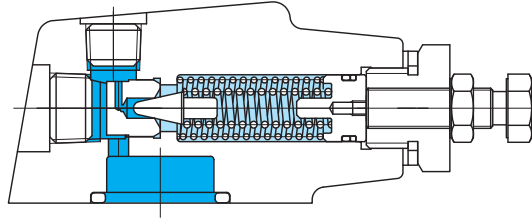
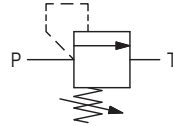


Remote control relief valves CGR-02



- Used for remote adjustment of main valve's setting pressure by connecting to remote vent port of the pressure control valves (relief valves, reducing valves, etc.).

Functional Symbol



Model Code

(F3)-CGR-02-A(K)-20-JA-J

- 1 2 3 4 5 6

- 1 Hydraulic fluid
Omit: mineral oil based fluid, water-glycol based fluid
F3: phosphate ester fluid
- 2 Remote control relief valve (gasket mounting)
- 3 Size: 02

- 4 Max. adjustable pressure: Refer to "Specifications".
- 5 Adjuster
Omit: hex head adjustment screw (standard)
K: knob
- 6 Design no.

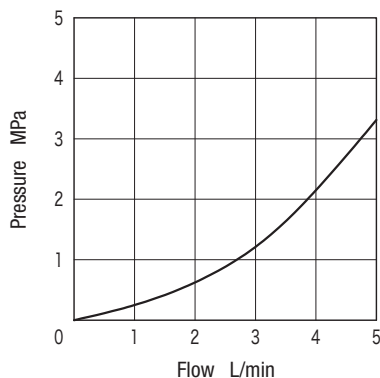
Specifications

Model Code	Size	Max. Working Pressure MPa	Rated Flow L/min	Max. Adjustable Pressure		Weight kg
				Code	MPa	
CGR-02	02	21	1.7	A	3.5	1.4
				B	7	
				C	14	
				F	21	

Note: Minimum adjustable pressure will differ with flow. See characteristics curves for reference.

Characteristics Curve (at 20 mm²/s) (typical examples)

● Pressure Drop Characteristics (Flow–Minimum Adjustable Pressure Characteristics)



Notes on Operation

- Do not connect piping of tank port and piping of other tanks, each should be directly returned to tank. Ensure that end of the piping is always below the fluid level.
- When the piping to the main valve is lengthy resulting in a high displacement in the pipe line, the control pressure may become unstable.
- Loosen the lock nut and turn handle clockwise to increase the setting pressure and counterclockwise to decrease the setting pressure.
- If pressure adjustment handle is tightened too much, circuit pressure will become setting pressure of main valve (S1 type).

Mounting Bolts (JIS B 1176, Strength Class 12.9)

Hex Socket Bolts		Qty
Metric thread	Unified thread	
M10×30	3/8-16UNC×31.8	4

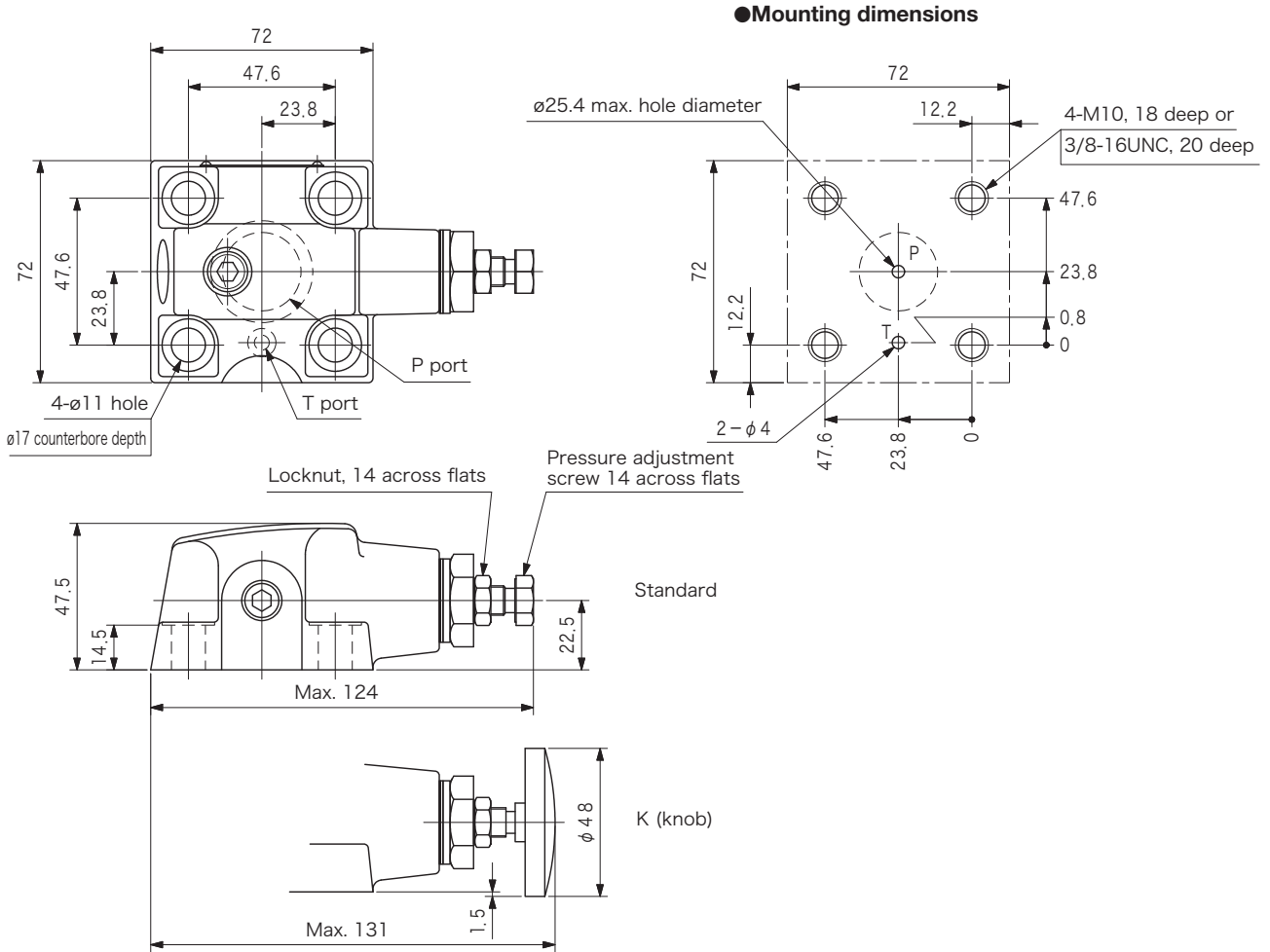
- Mounting bolts must be ordered separately.
- Mounting bolt tightening torque
54 to 66 N·m

Subplate

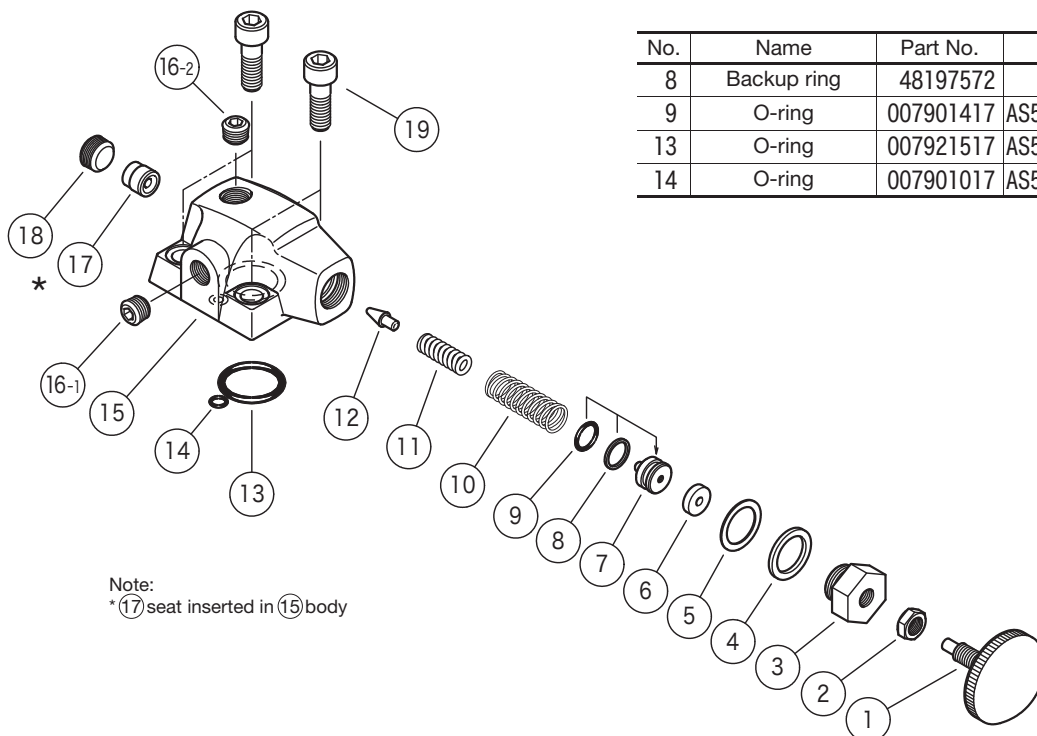
Subplate	Connection Port Diameter Rc
CGRM-02-20-J	1/4

- Subplate must be ordered separately.
- Hex socket bolts for mounting valve included (metric thread).
- See page R6-2 for dimensions.

Dimensions



Construction



No.	Name	Part No.	Standard	Qty
8	Backup ring	48197572	MS28774-014	1
9	O-ring	007901417	AS568-014 (NBR, Hs70)	1
13	O-ring	007921517	AS568-215 (NBR, Hs70)	1
14	O-ring	007901017	AS568-010 (NBR, Hs70)	1