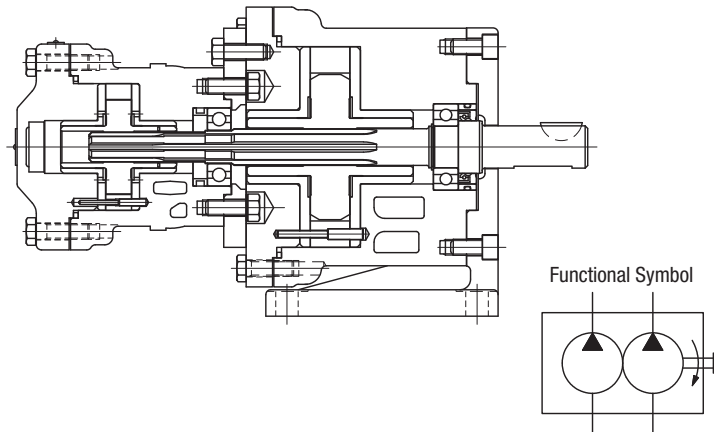
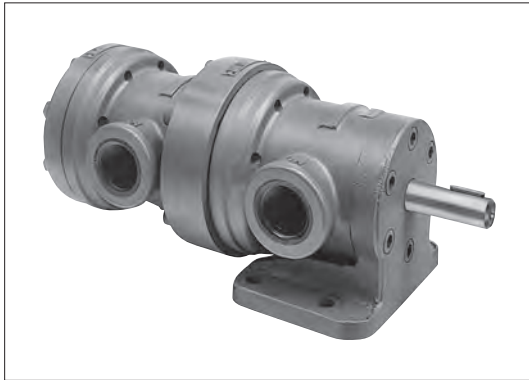


Double fixed displacement vane pumps V-108, 128, 138, 148 series



Model Code

(F3)-V-108-YE-10-(LH)-JA-(S36)-J

1 2 3 4 5 6 7

(F3)-V-138U-E-20-(LH)-JA-(S36)-J

1 2 3 4 5 6 7

1 Hydraulic fluid

Omit: mineral oil, water glycol (S36)
F3: Phosphate ester fluid

2 Double fixed displacement vane pumps

V-108 Series, V-128 Series
V-138 Series, V-148 Series

Series	Pump Mounting	
	Foot Mount	Flange Mount
V-108	V-108	V-109
V-128	V-128	V-129
V-138	V-138	V-139
V-148	V-148	V-149

3 Shaft end pump displacement

Series	Displacement Code
V-108	Y, E, G, A, C, D
V-128	Omitted
V-138	Omitted, U, X
V-148	Omitted

4 Cover end pump displacement

Series	Displacement Code
V-108	Y, E, G, A, C, D
V-128	
V-138	
V-148	

5 Design no.

10: V-108 Series
20: V-128, 138, 148 Series

6 Rotation (viewed from shaft end)

Omit: CW
LH: CCW

7 Special feature

S36: For Water glycol based fluid

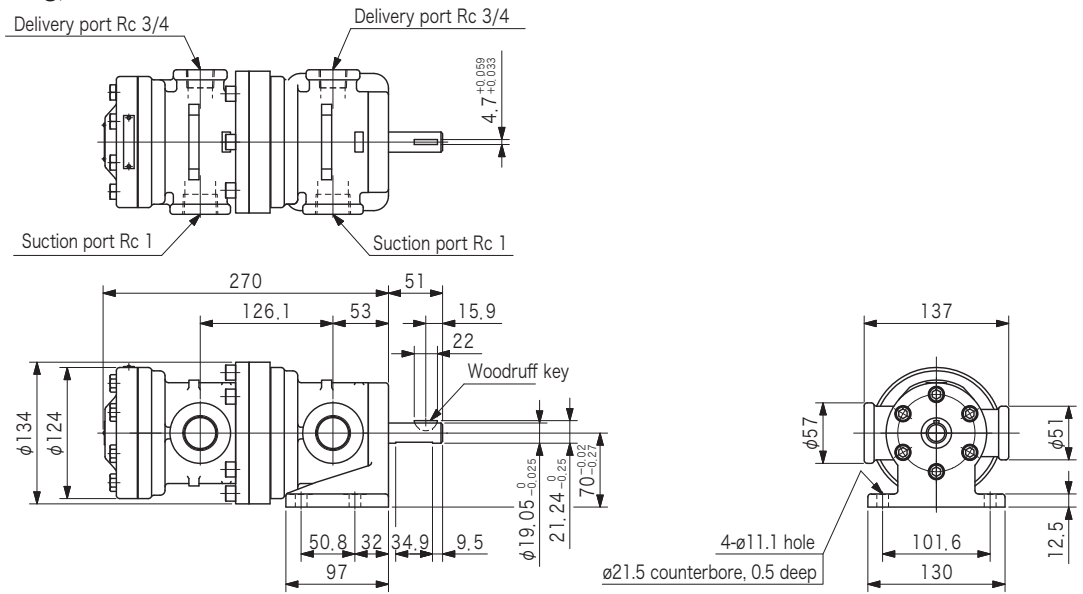
Specifications

Model Code	Shaft End Pump	Cover End Pump	Foot Mounting Weight kg
V-108-*Y	V-104-Y	V-104-Y V-104-E V-104-G V-104-A V-104-C V-104-D	17.3
V-108-*E	V-104-E		
V-108-*G	V-104-G		
V-108-*A	V-104-A		
V-108-*C	V-104-C		
V-108-*D	V-104-D		
V-128-*	V-124	V-104-C V-104-D	31.7
V-138-*	V-134		
V-138U-*	V-134U		
V-138X-*	V-134X		
V-148-*	V-144		

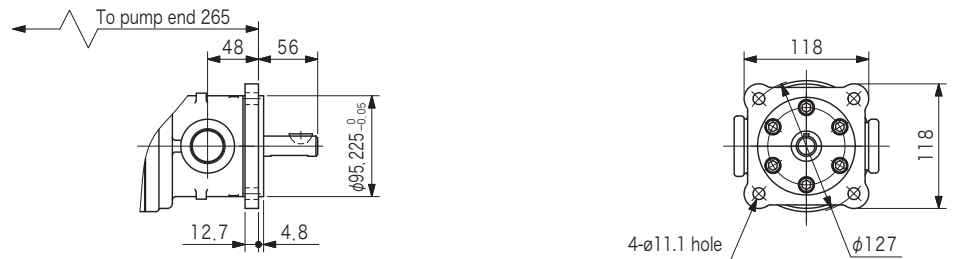
Note: • Max. speed is speed of shaft end pump.
• For V-108 Series, shaft end pump is the larger delivery pump.

Dimensions

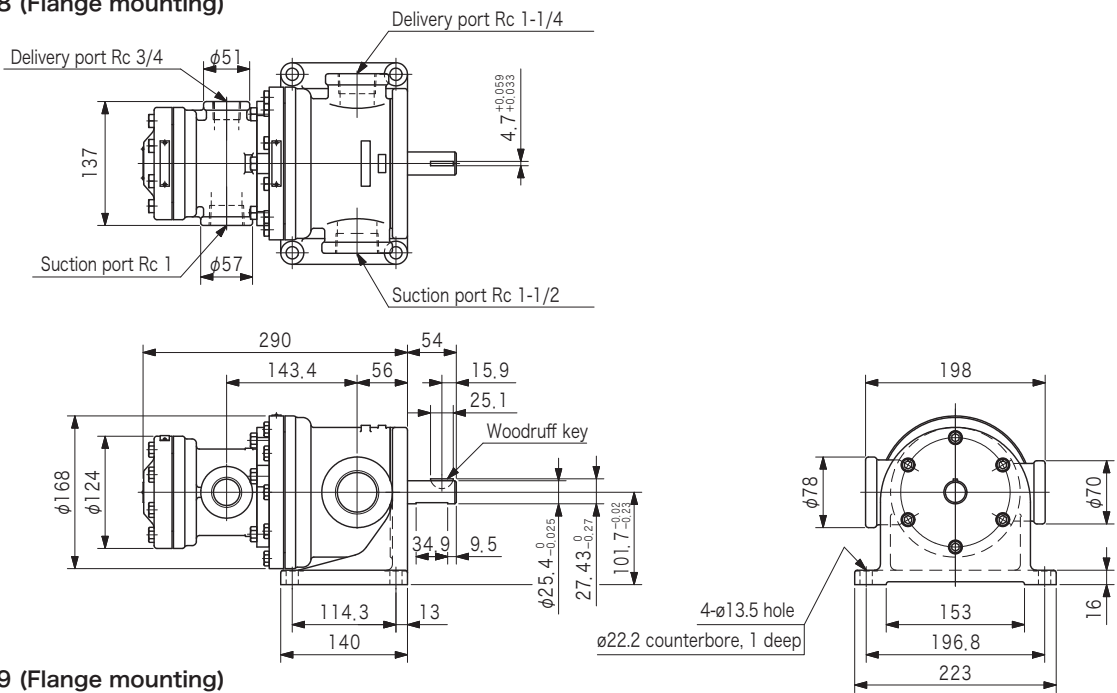
V-108 (Foot mounting)



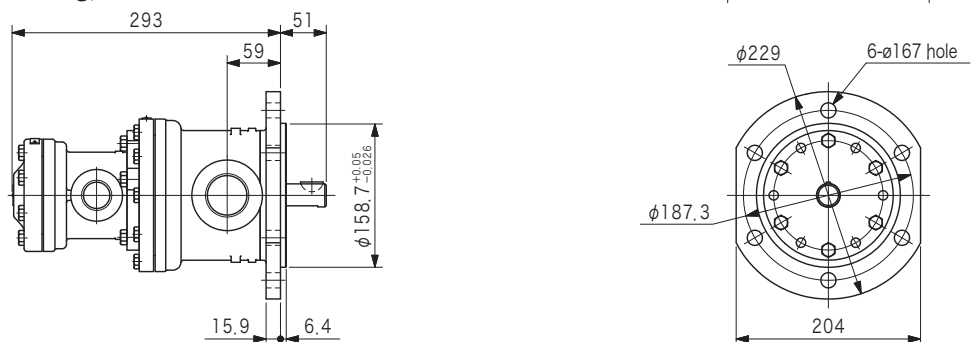
V-109 (Flange mounting)

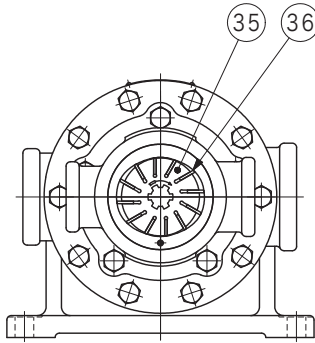
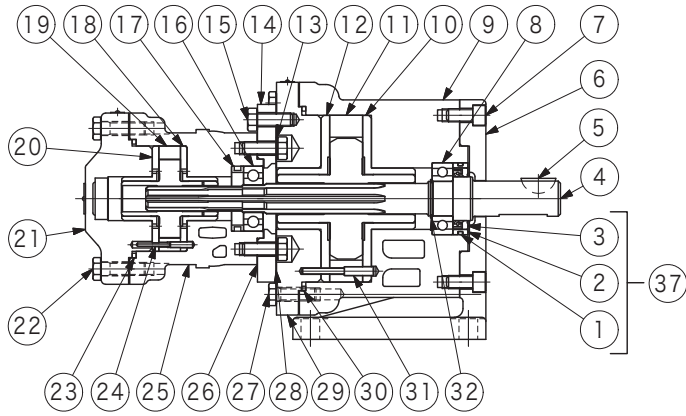
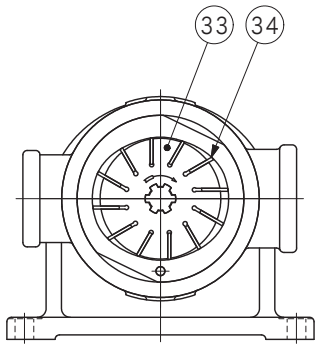


V-128, 138, 148 (Flange mounting)



V-129, 139, 149 (Flange mounting)





Seal, Bearing P/N Table

Series	(37) Oil Seal Subassembly	(3) Shaft Seal	(1) O-ring	(30) Seal Ring	(28) Packing	(23) Seal Ring
V-108	VA0759A	VP188323	007922317	VP2021	VP2240	VP2021
V-128, 138, 148	VA8109A	VP190142	007913417	VP2052	VP2547	VP2021

Series	(26) Packing	(8) Bearing	(16) Bearing
V-108	VP2546	007062041	007062001
V-128, 138, 148	VP2546	007062051	007062041

Note: (1) O-ring, (3) shaft seal included in (37) oil seal subassembly.